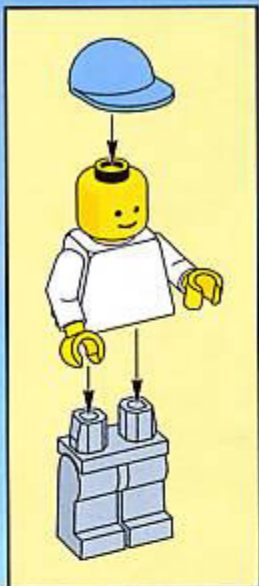




SYSTEM™

1831

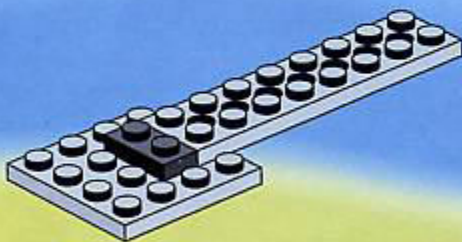




1



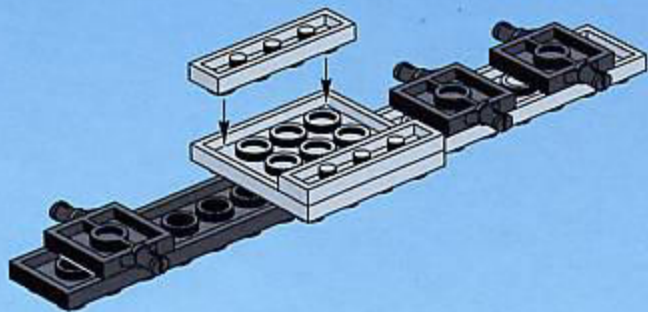
2



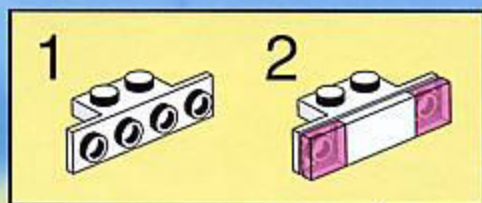
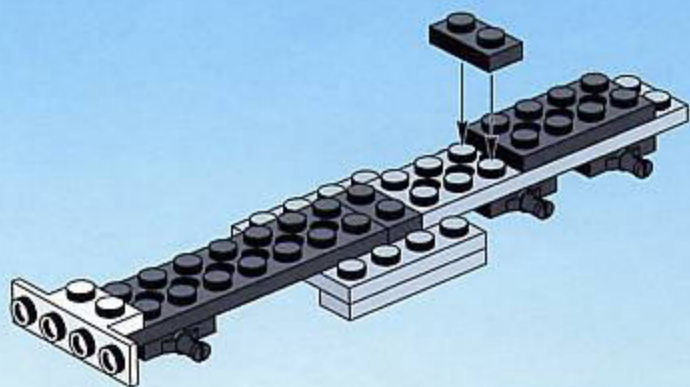
3



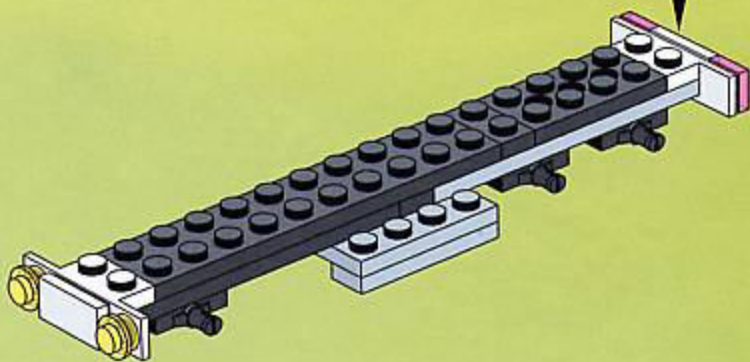
4



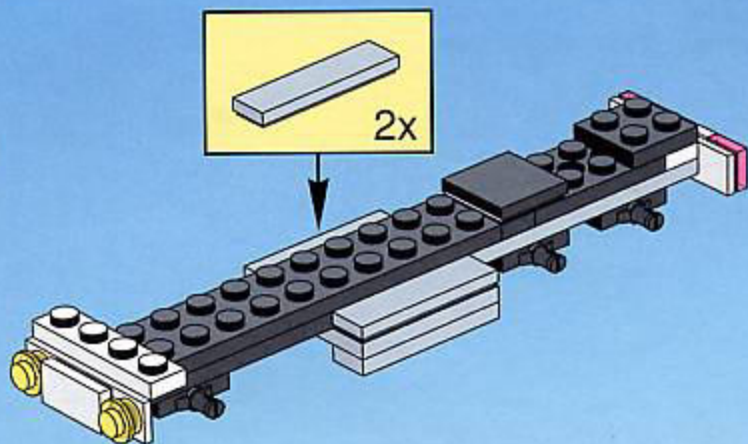
5



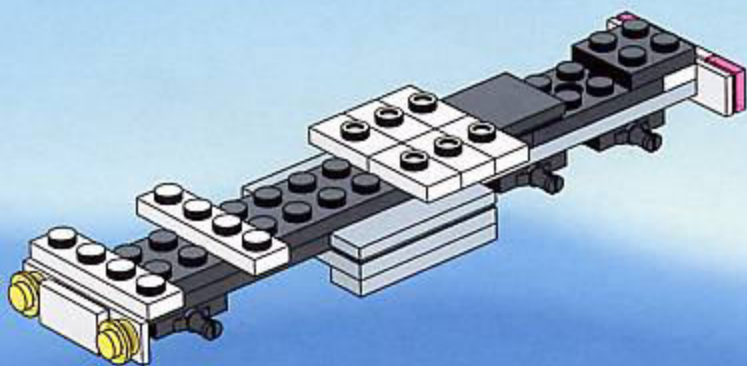
6



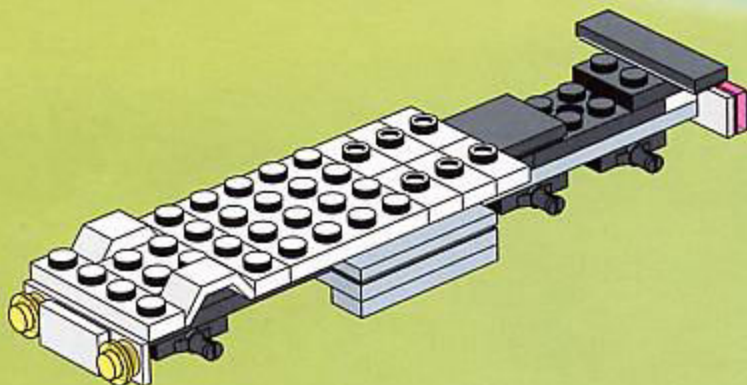
7



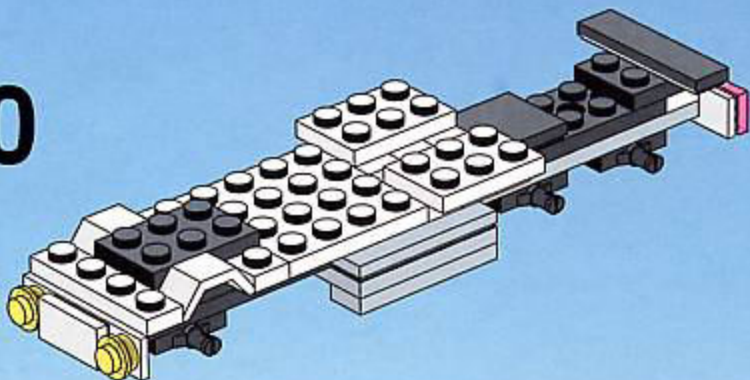
8



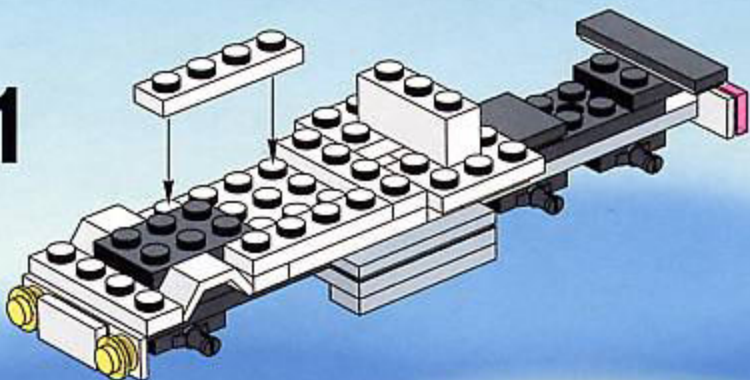
9



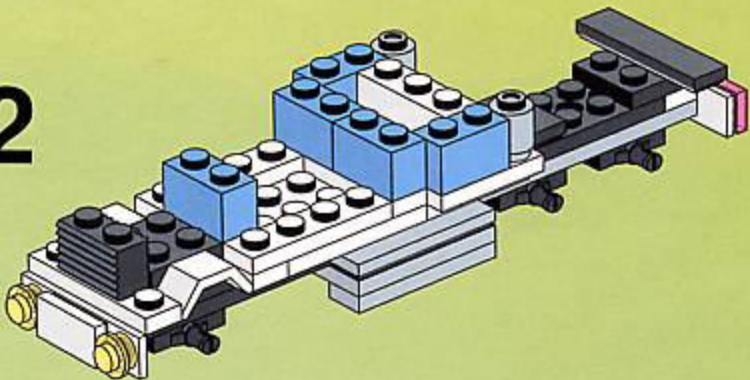
10



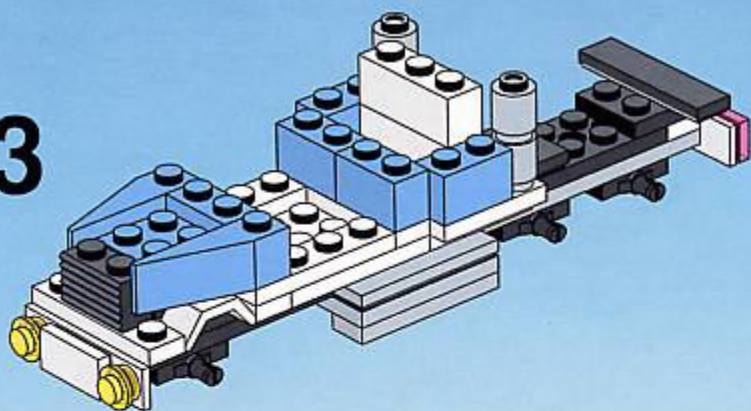
11



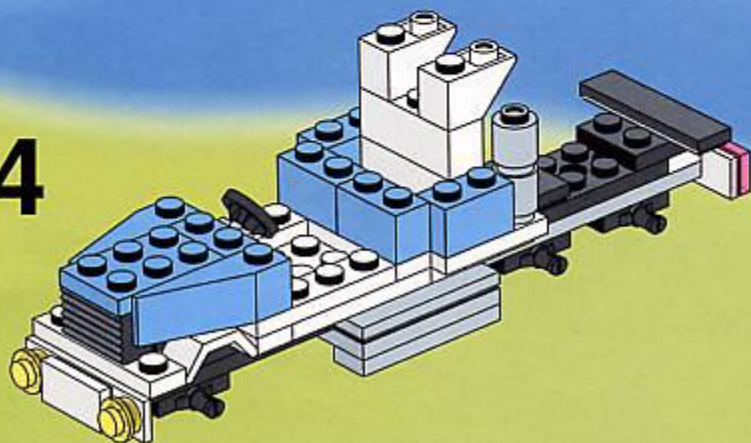
12



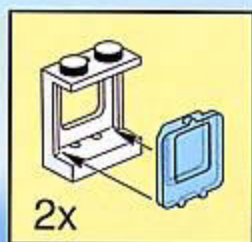
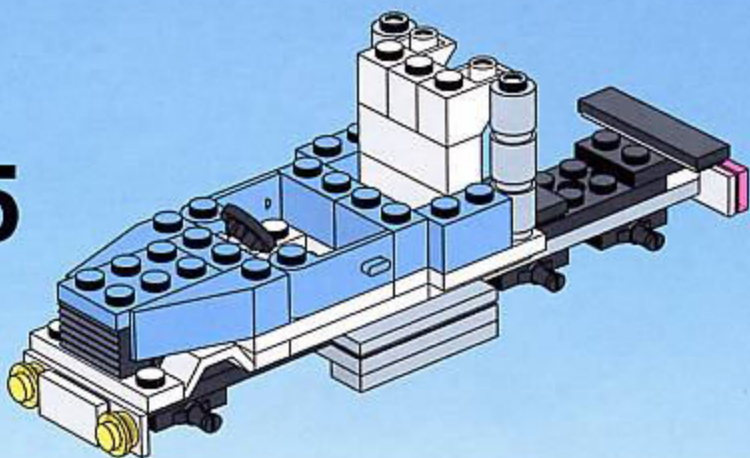
13



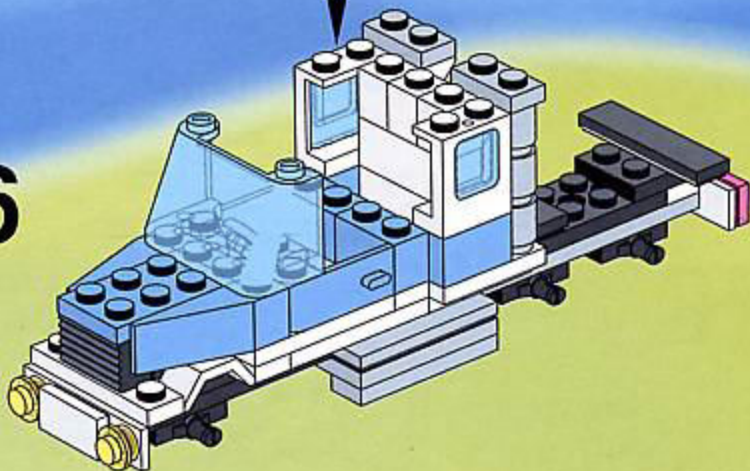
14



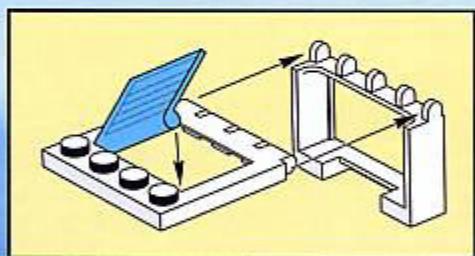
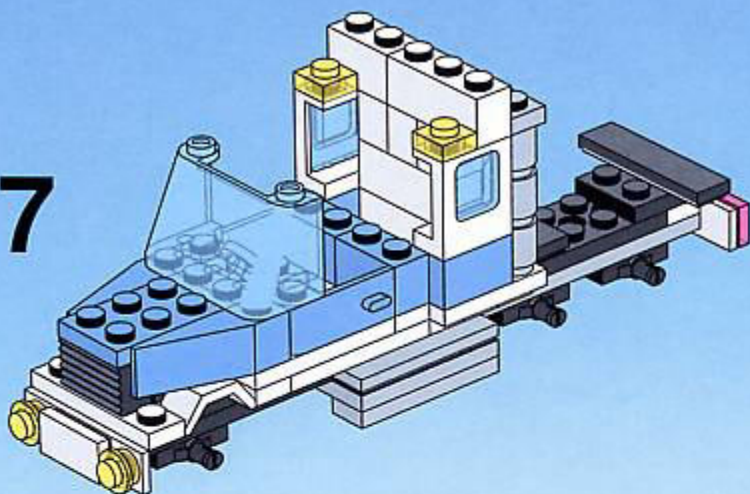
15



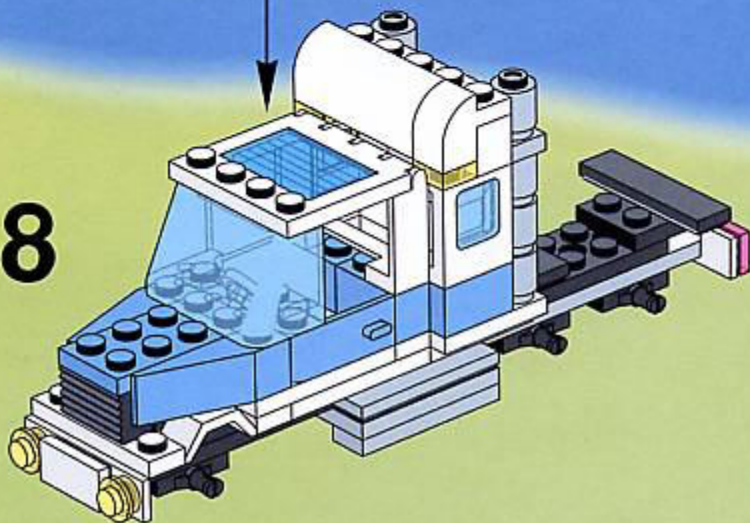
16



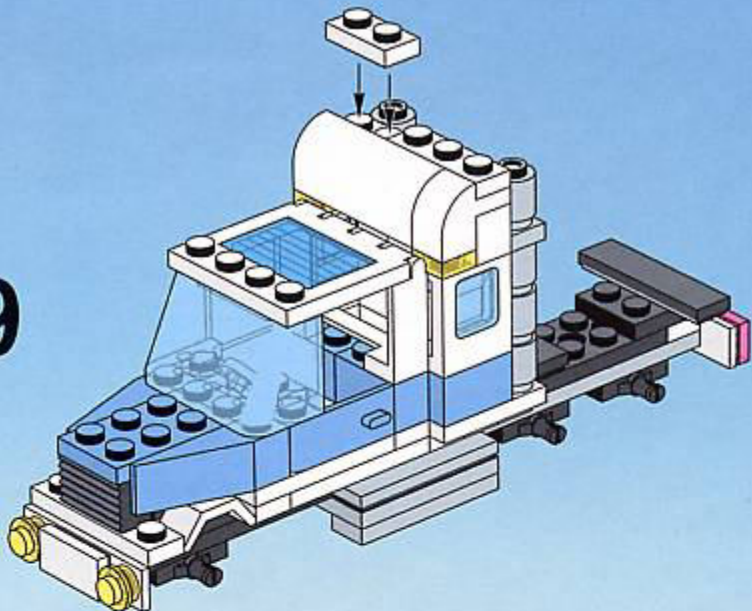
17



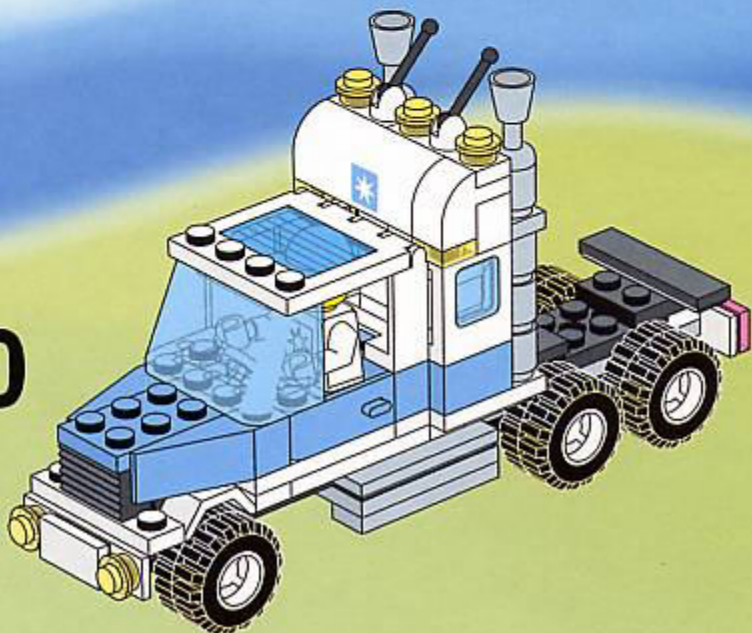
18



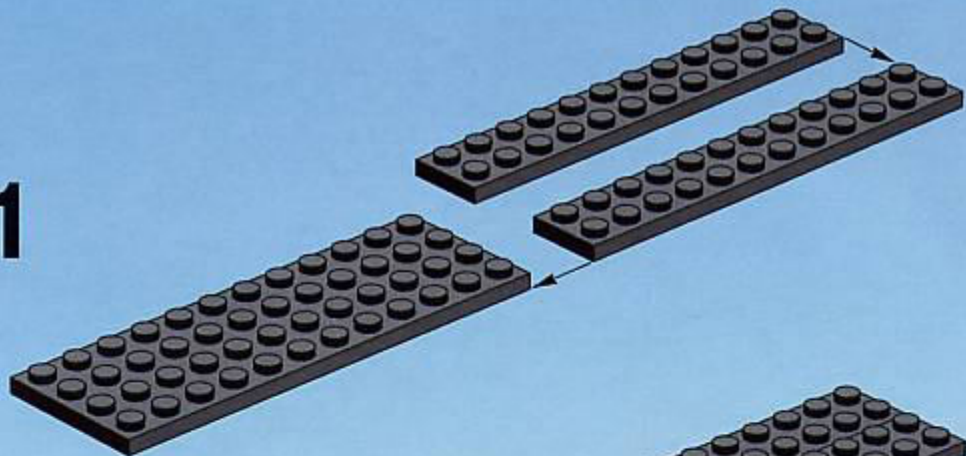
19



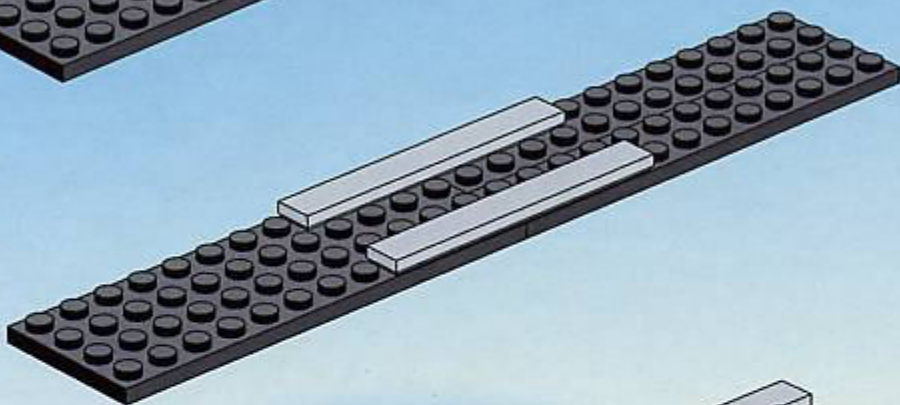
20



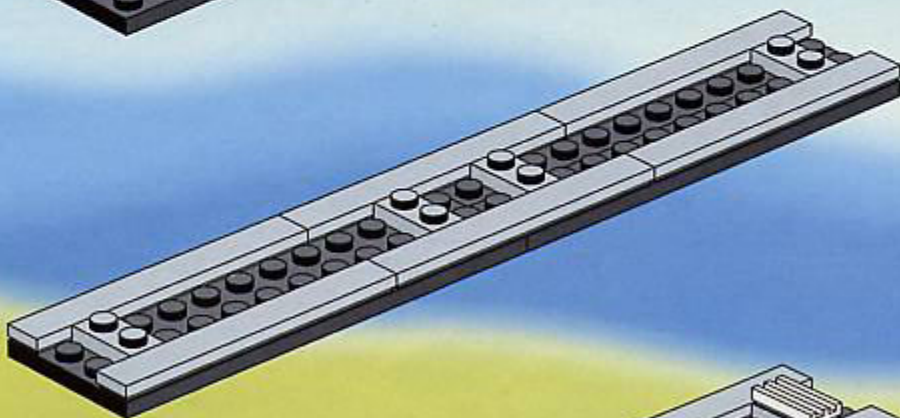
1



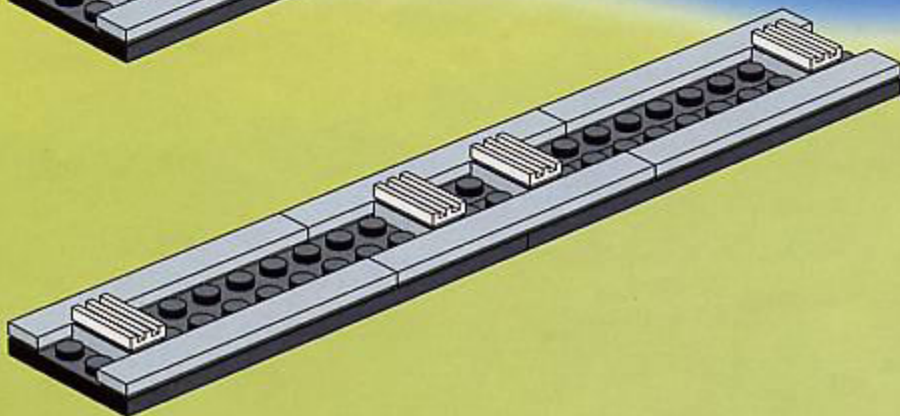
2

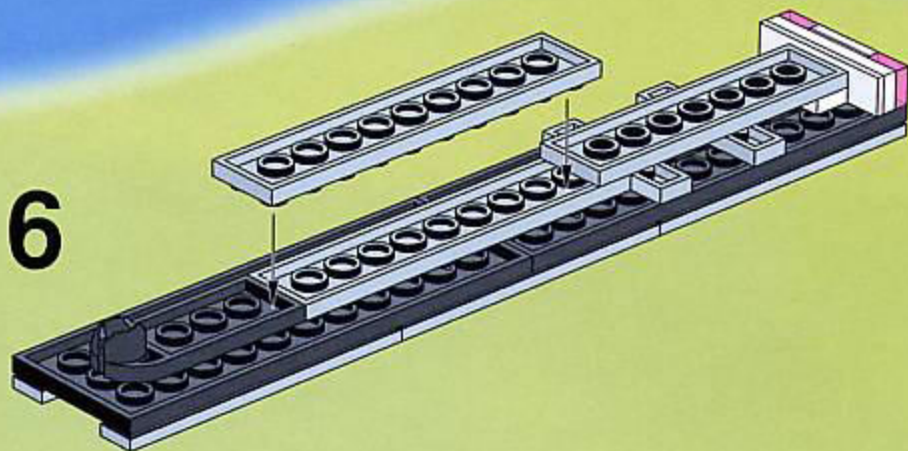
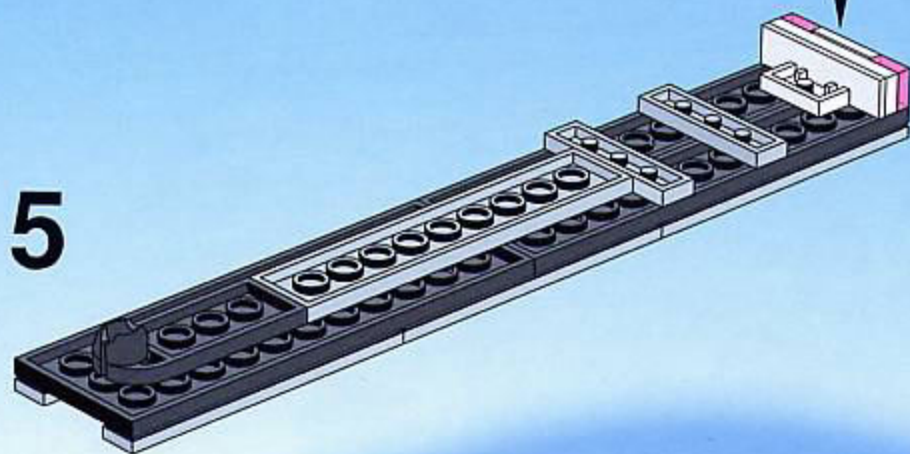
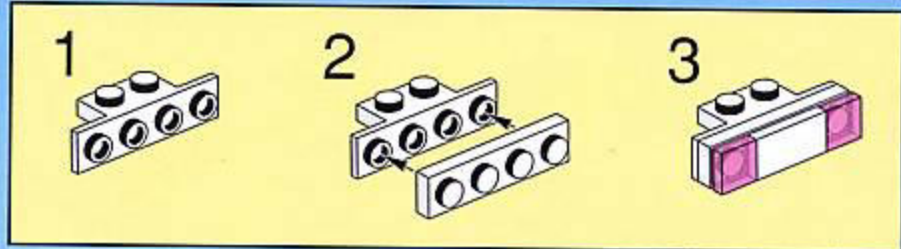


3

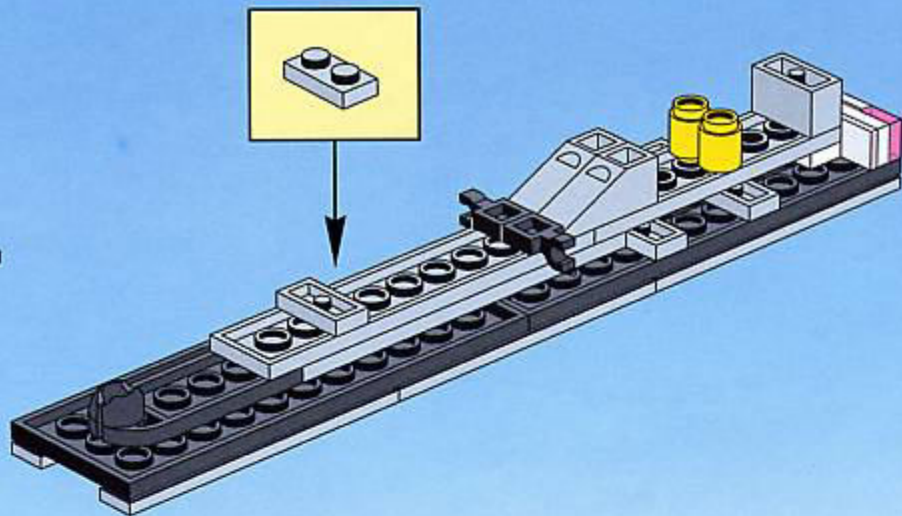


4

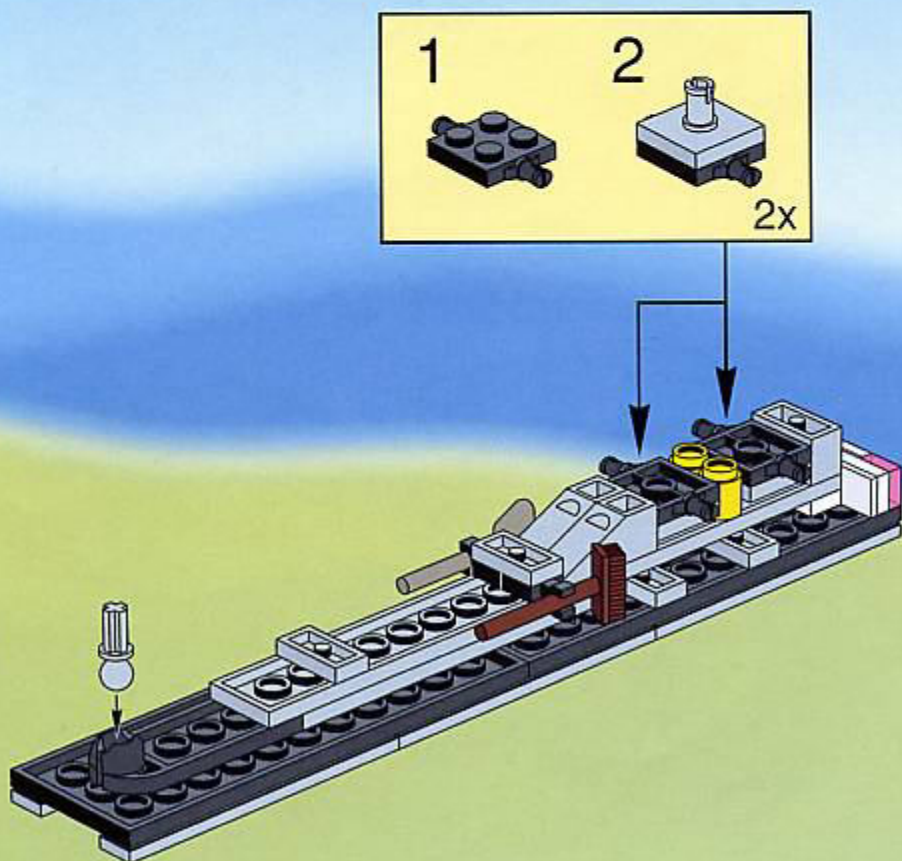




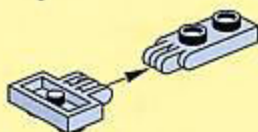
7



8



1



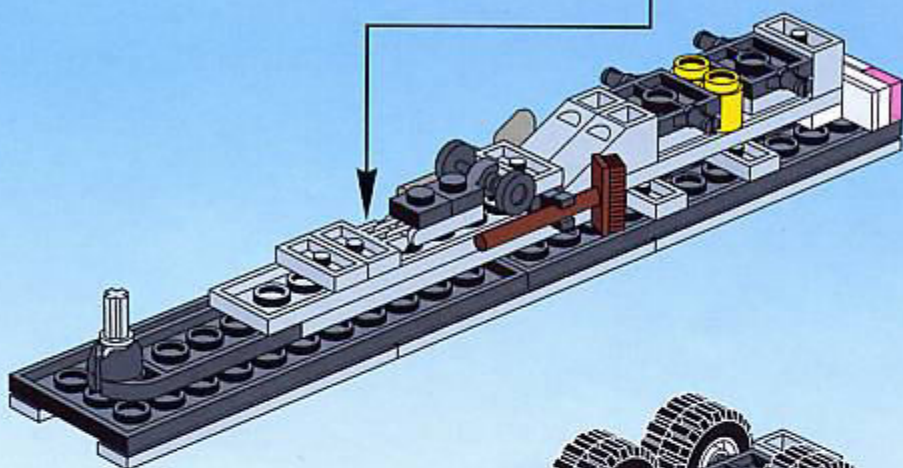
2



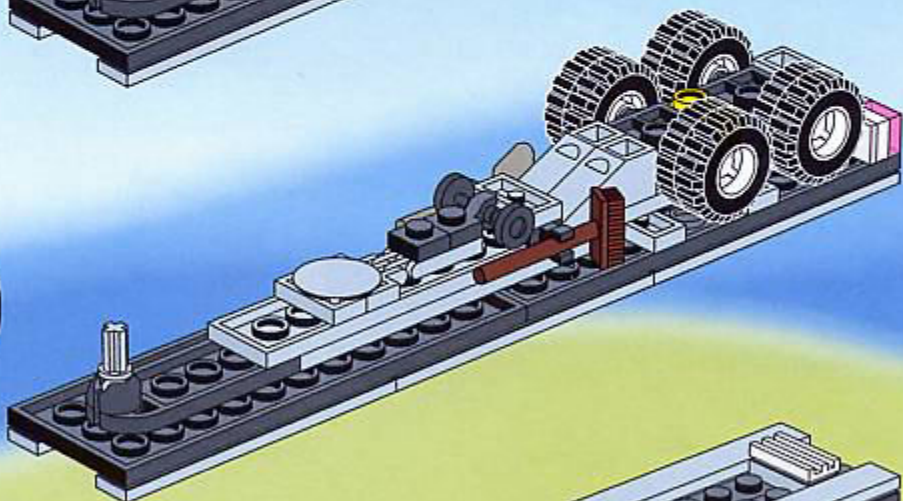
3



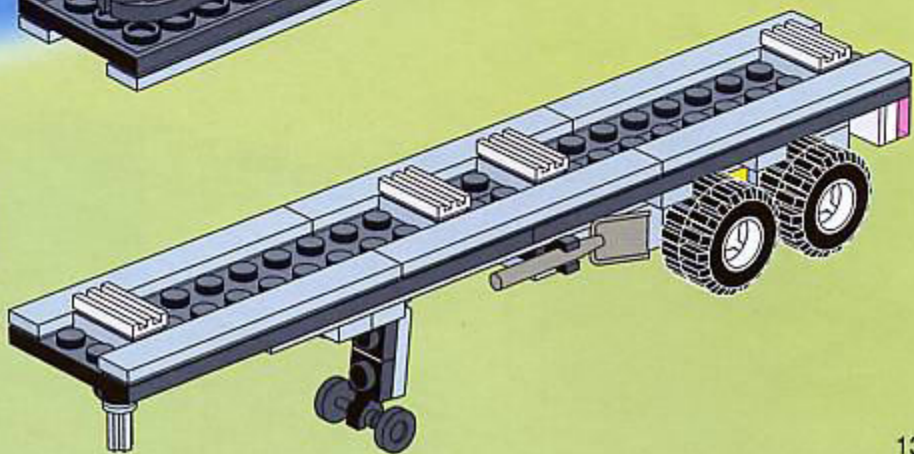
9



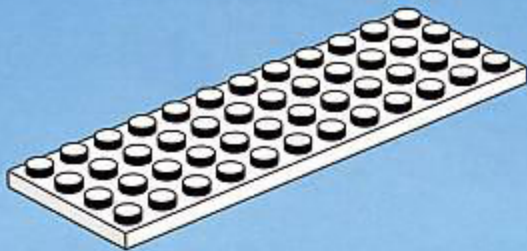
10



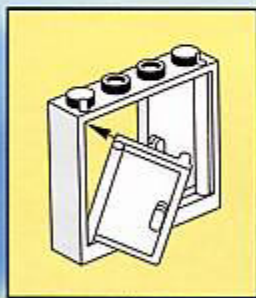
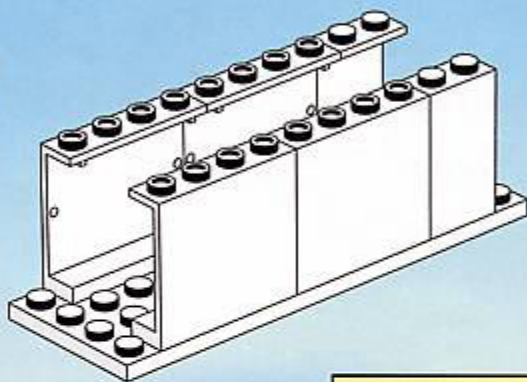
11



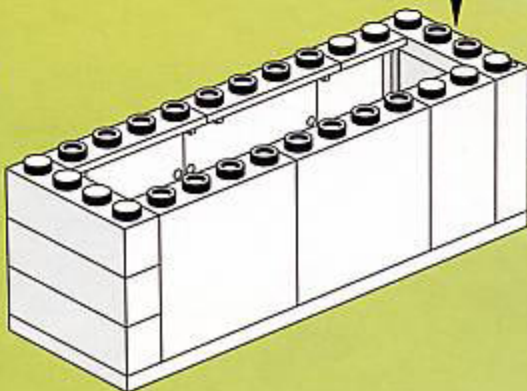
1



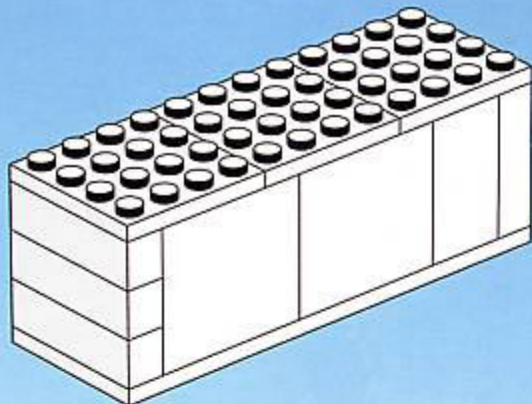
2



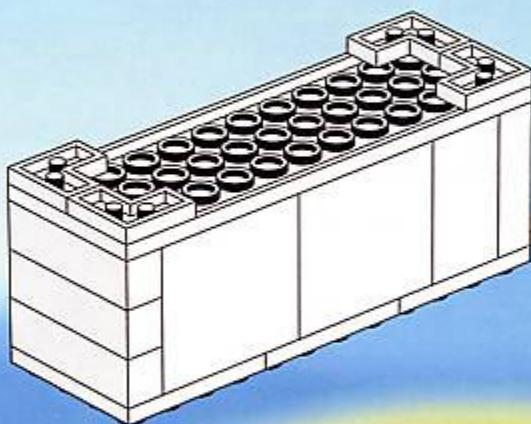
3



4



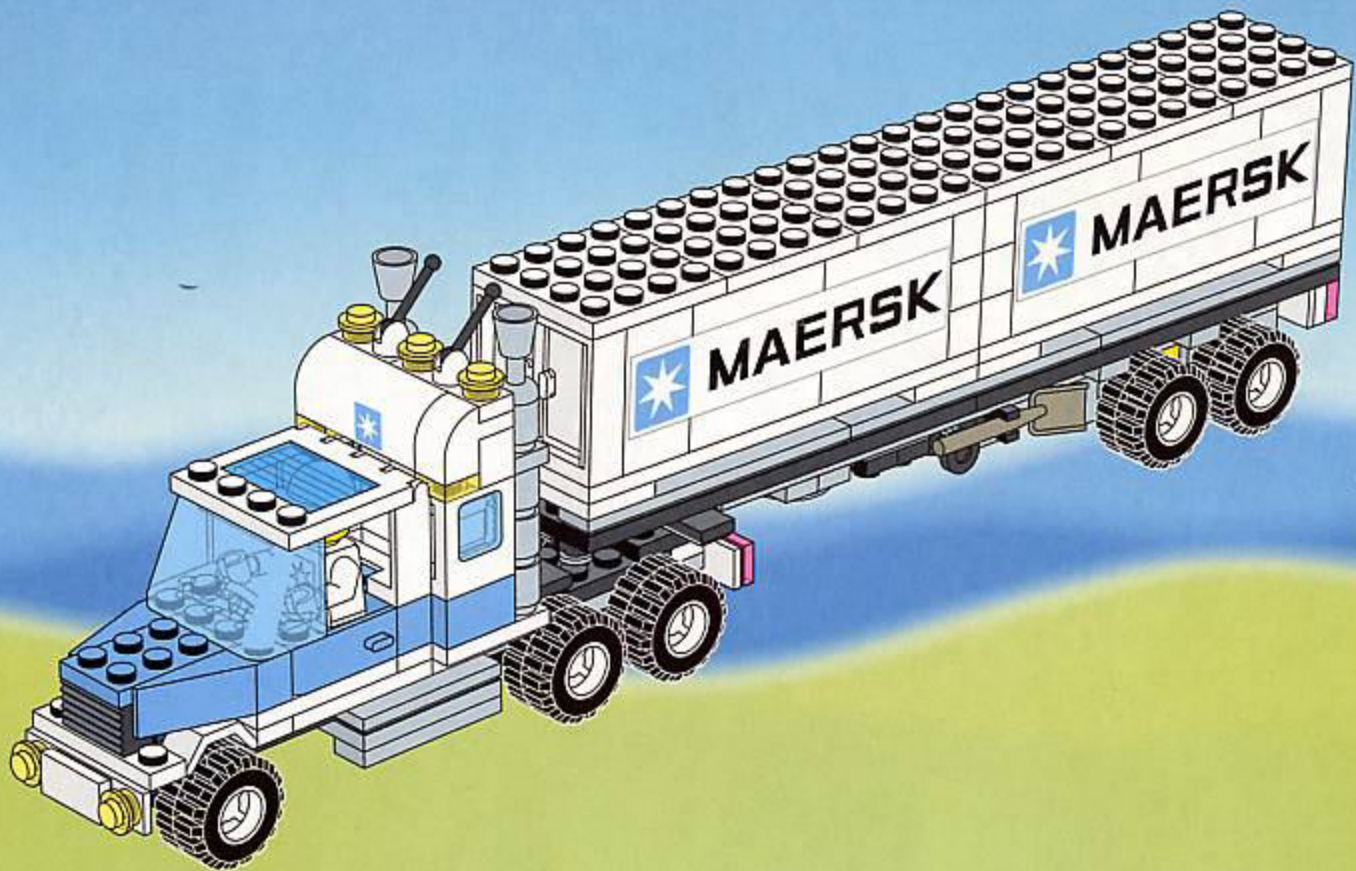
5



6



2x





MAERSK



MAERSK



MAERSK



MAERSK





SYSTEM

1831

